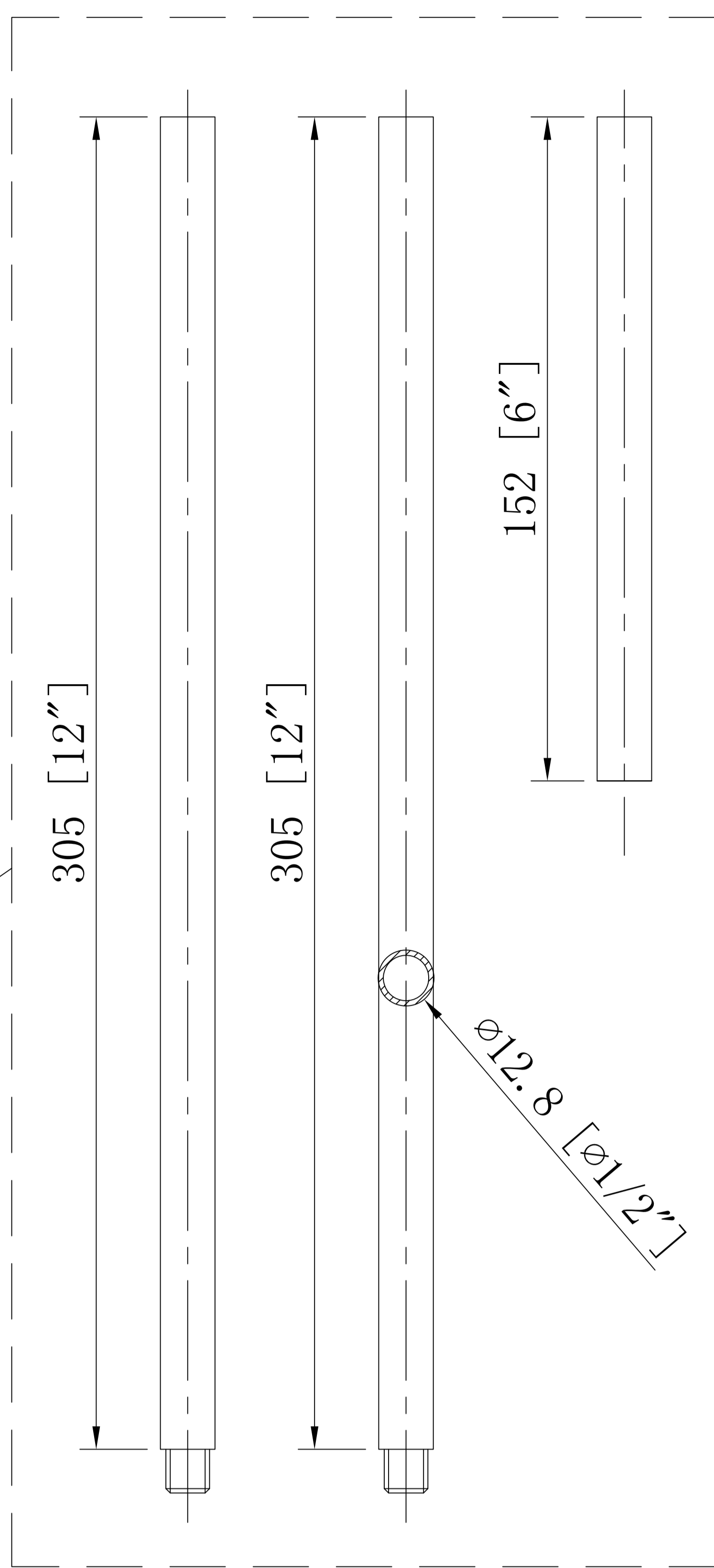


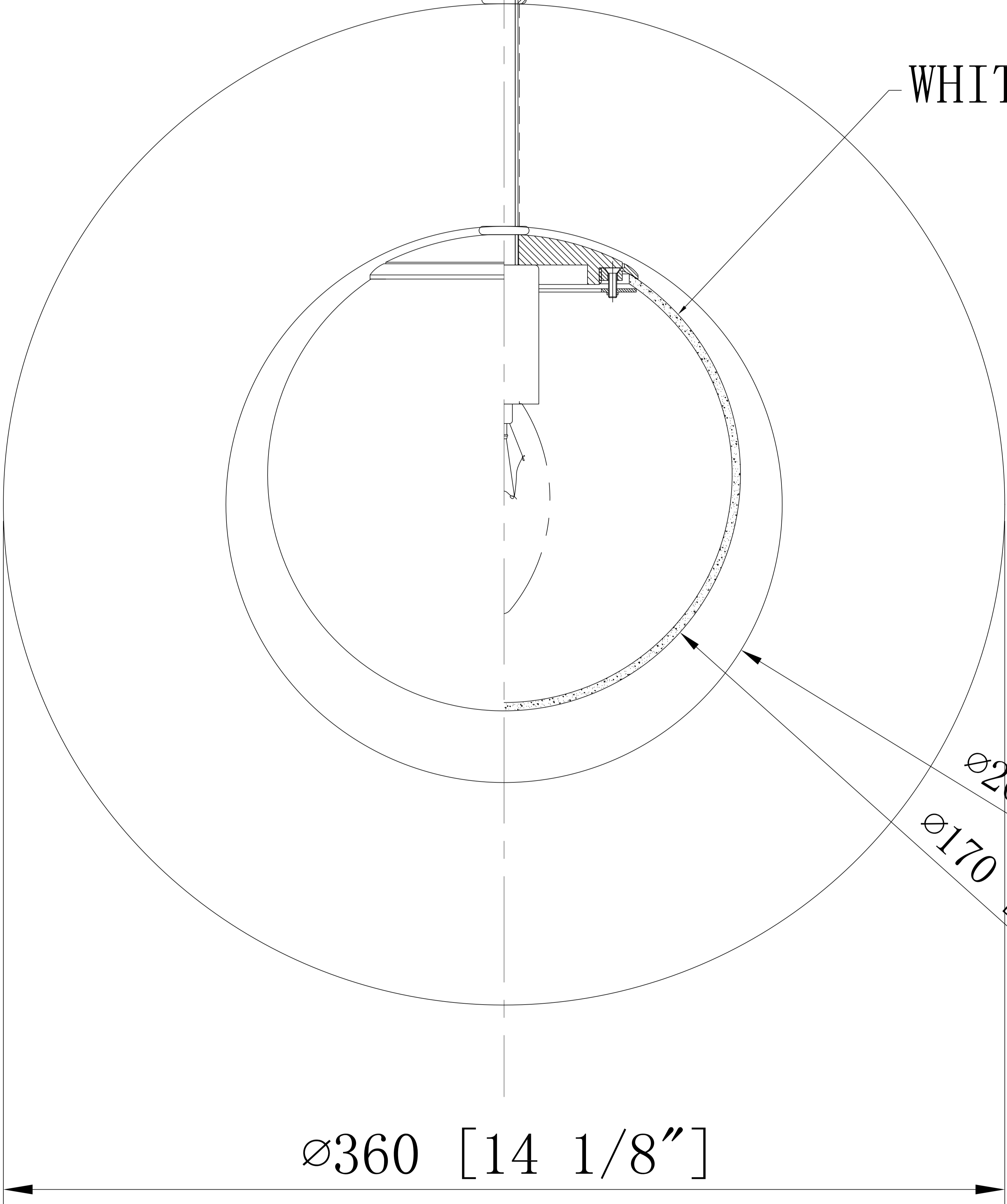
$\phi 10$ [$\phi 3/8$ "]

20 [$3/4$ "]

$\phi 130$ [$5 1/8$ "]



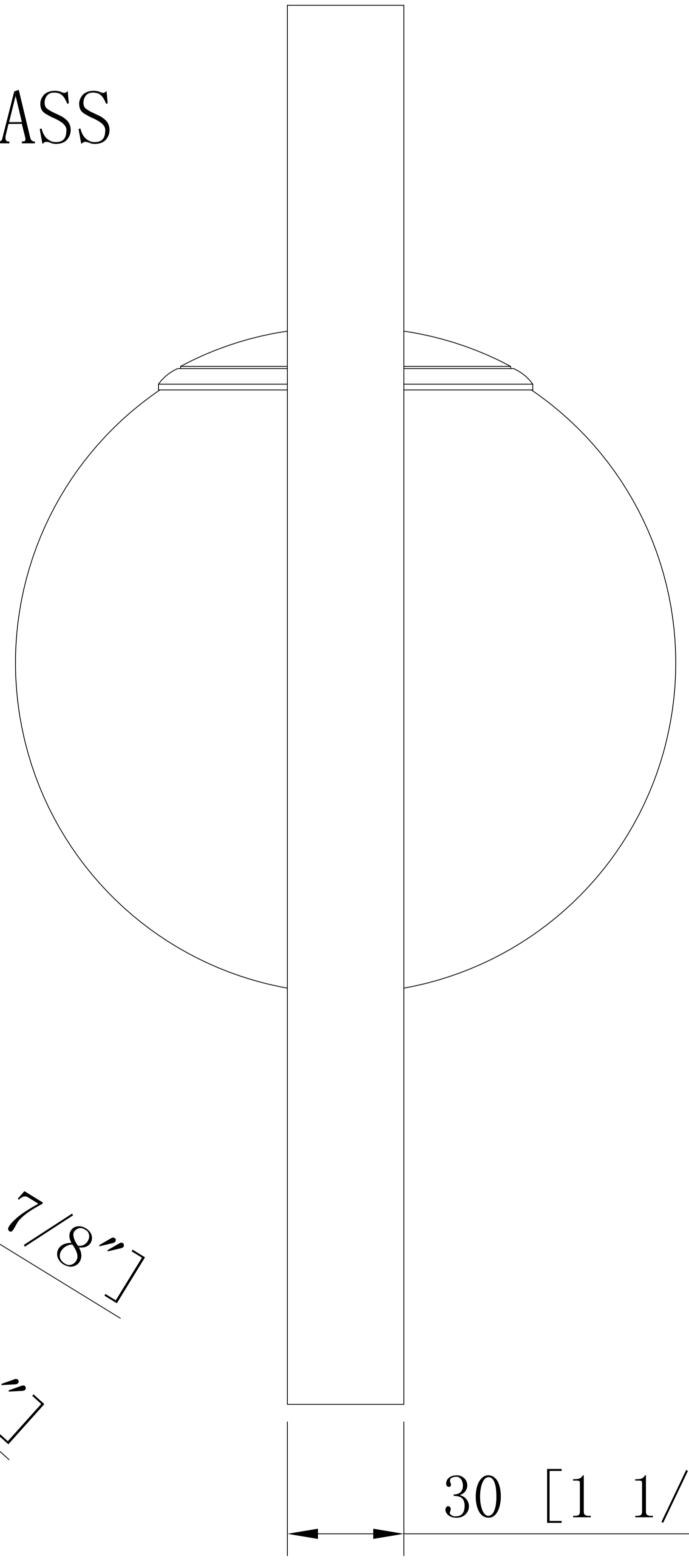
WHITE GLASS



$\phi 360$ [$14 1/8$ "]

$\phi 200$ [$\phi 7 7/8$ "]

$\phi 170$ [$\phi 6 3/4$ "]



30 [$1 1/8$ "]

INNOVATIONS LIGHTING
 DESIGN COPYRIGHT - 12/18/2019
 ALL RIGHTS RESERVED AND MAY
 NOT BE DUPLICATED WITHOUT OUR
 WRITTEN PERMISSION

ITEM: 440-1S